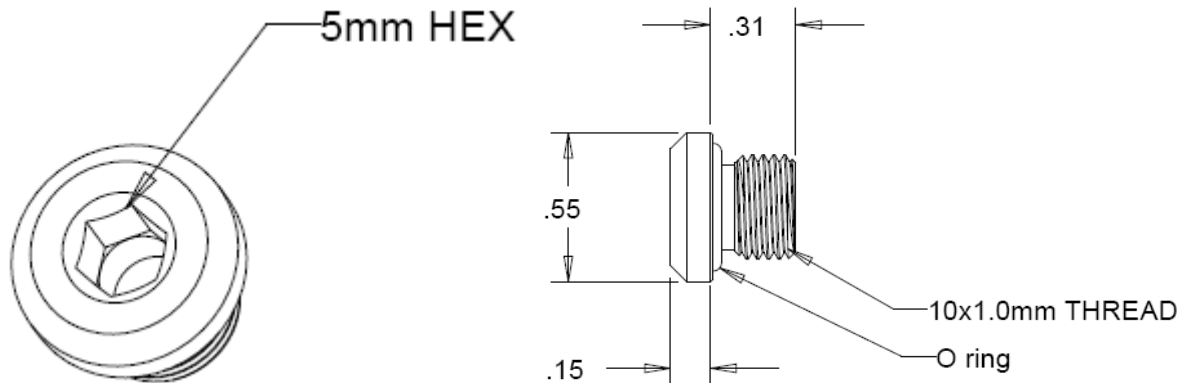


FLUSH-FIT™ METRIC PLUG

The FLUSH-FIT™ Plug is designed to be a low profile manifold plug.

The FLUSH-FIT™ Plug is available in **Brass** or **303 stainless steel** in **10 MM** (Metric Thread). The FLUSH-FIT™ Plug is manufactured by HAHN Industries, a Division of Steinen.



Part Numbers:	Material	Thread (metric)
602-M10-01-00	Brass	10 mm
602-M10-03-00	303 SS	10 mm