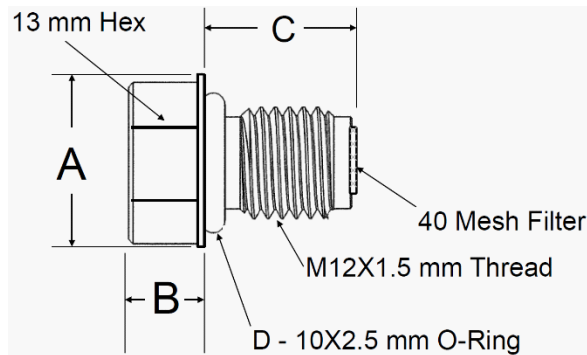


## TYPE "K" HEX-DRIVE™

Type "K" HEX-DRIVE™ spray nozzles produce a precision uniform narrow angle full cone spray, generally used in dust control mining applications.

The Type K HEX-DRIVE™ nozzle is available in Brass or 303 stainless steel in M12 X 1.5mm thread. The Type "K" HEX-DRIVE™ nozzle is manufactured by HAHN Industries, a Division of Steinen.



Nozzle Type	Steinen Part #	ORIFICE		RATED CAPACITY (gallons/minute)					
		MM	Inches	40 PSI	100 PSI	150 PSI	200 PSI	250 PSI	300 PSI
Type K HEX-DRIVE™	611-MM01-10	1.0	0.0393	0.19	0.29	0.36	0.41	0.46	0.51
		SPRAY ANGLE (approx.)		RATED CAPACITY (liters/minute)					
		15°		2.8 BAR	6.9 BAR	10.3 BAR	13.8 BAR	17.2 BAR	20.7 BAR
		15°		0.72	1.10	1.36	1.55	1.74	1.86



### DIMENSIONS

Type K HEX-DRIVE™	Inlet				
	Thread	A (in.)	B (in.)	C (in.)	D (in.)
	M12X1.5 mm	11/16"	25/64"	5/8"	10X2.5mm o-ring
		A (mm)	B (mm)	C (mm)	D (mm)
		17.5 mm	10 mm	16 mm	10X2.5mm o-ring