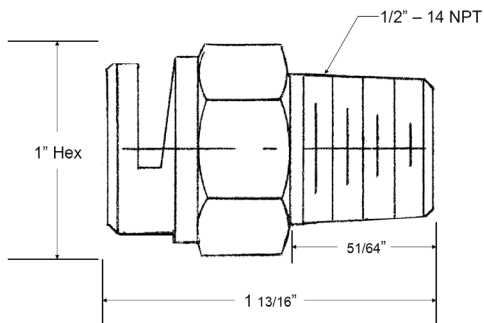
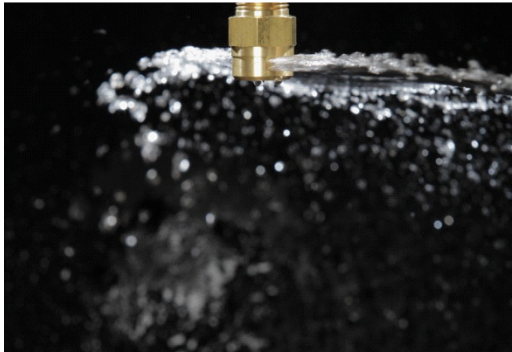


## HAHN *DRENCH* NOZZLE

The Hahn **DRENCH** nozzle sprays 10 gallons of water per minute in a wide angle (180°) spray and is generally used for flooding an area with water.

The **DRENCH** nozzle is manufactured by HAHN Industries, a Division of Steinen.

- The **DRENCH** nozzle is Steinen Part # 361-12265.
- *This is a high flow nozzle with large water droplet sizes for flooding of a wide area.*



**HAHN DRENCH** nozzle

Part # 361-12265

Nozzle Type	Steinen Part #	RATED CAPACITY (gallons/minute)					Spray Angle (approx.)
		20 PSI	40 PSI	60 PSI	80 PSI	100 PSI	
<b>DRENCH</b>	<b>361-12265</b>	<b>7</b>	<b>10</b>	<b>12.3</b>	<b>14.1</b>	<b>15.8</b>	<b>180°</b>