



Mosquito Spray Nozzles

Type **WC**

Steinen Mfg. Co. 29 East Halsey Road, Parsippany, NJ 07054 973.887.6400 F: 973.887.4632 info@steinen.com www.steinen.com

Steinen is the leading designer and manufacturer of mosquito misting nozzles. Made in the USA, all of our mosquito misting nozzles are designed, manufactured and shipped from our New Jersey factory.

The Steinen nickel stainless steel (303 grade) drip-free mosquito misting nozzle has been refined over the years by our nozzle engineers to reward you with a flawless performance, accurate flow and spray angle, and instant shut-off at the orifice in less than 250 ms. The check valve located in the mister nozzle body instantaneously stops dripping and leaking which is necessary in such situations where any drips and leaks are unacceptable.

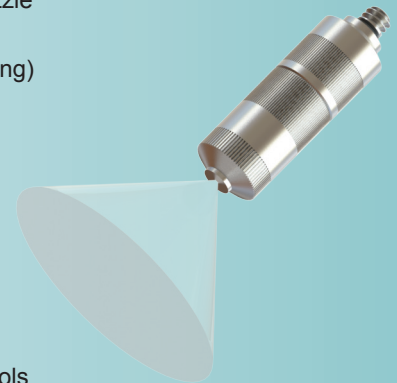
All Steinen mosquito nozzles have the same flow rates, despite the nozzle body style. Additionally, All nozzles are offered in either high (standard) or low pressure versions, and in either 70° (standard) or 80° wide spray angles. Three types of mosquito misting spray nozzles are available.

Mosquito Nozzle flow Rates (all Nozzles)				
Cracking Pressure 80-85 PSI - Closing Pressure 40-45 PSI				
<i>(based on a gradual increase/decrease of pressure applied to nozzle)</i>				
PSI	GPH	GPM	ML/MIN	OZ/MIN
100	0.27	0.004	16	0.56
120	0.41	0.007	26	0.87
140	0.50	0.008	31	1.06
160	0.57	0.009	36	1.20
180	0.63	0.011	40	1.35
200	0.70	0.012	44	1.50

Type Slim PRO™

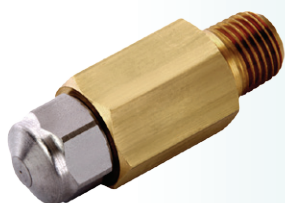
The Ultimate Mosquito Nozzle

- Incorporates the time tested, high performance WC nozzle spray tip – without the bulky ‘wrench hex’ exterior.
- Internal nozzle tip components (valve, check valve, spring) interchangeable with standard Steinen WC nozzles.
- Appearance similar to slimline nozzles but with the high performance of the 4023 style nozzle - fits all existing slimline hardware .
- Incorporates the longest filter every used in a mosquito nozzle to minimize clogging and nozzle maintenance.
- High performance spray and check valve outlasts & outperforms slimline nozzles
- Nozzle installation and filter replacement without any tools – everything is “finger tight”.



Type WC 4023 Express™

- Incorporates the time tested, high performance WC nozzle tip into an adapter that fits all existing slimline hardware.
- High performance spray and check valve outlasts & outperforms slimline nozzles.
- Replaceable integrated bronze filter provides >800% greater filter area over slimline ‘white dots’ for long life and less clogging.
- Nozzle installation and filter replacement without any tools – everything is “finger tight”.
- Nickel plated adapter for long lasting appearance.
- Less expensive than buying 4023 type nozzles with standard adapters.



Type WC 4023

- New internal brass valve to minimize corrosion for longer nozzle life.
- Smoother slot finish minimizes potential clogging of valve slots.
- Available with either porous bronze (standard) or mesh filter.
- Male or female 1/8 & 1/4 inch and a 3/8 inch male only brass or 303 stainless steel barrel adapters available (see photo).



Adapter