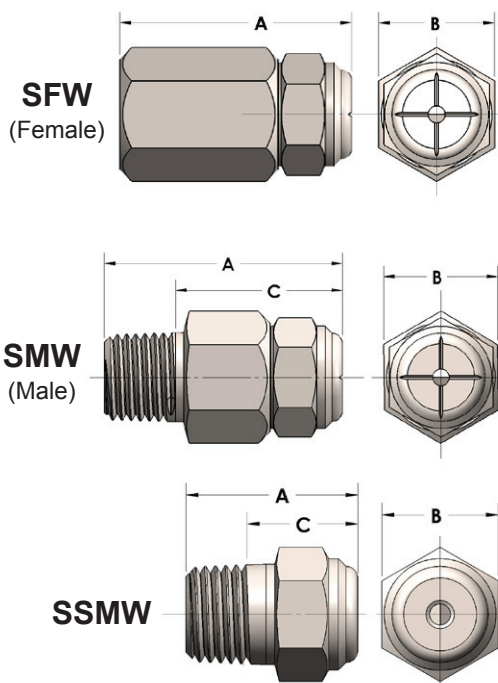




Nozzle Identifier	Pipe Size Availability ✓ indicates available						Free Passage Size*	Capacity in Gallons per Minute (at various pressures in pounds per square inch)							Spray Angles 40 psi
	1/8	1/4	3/8	1/2	3/4	1		3 psi	10 psi	20 psi	40 psi	80 psi	100 psi	150 psi	
0.80	✓						0.062	0.22	0.40	0.57	0.80	1.1	1.3	1.6	105°
1.0	✓						0.062	0.27	0.50	0.71	1.0	1.4	1.4	1.6	110°
1.5	✓						0.062	0.41	0.75	1.1	1.5	2.1	2.4	2.9	120°
2.0		✓					0.086	0.55	1.0	1.4	2.0	2.8	3.2	3.9	110°
2.5		✓					0.086	0.70	1.2	1.8	2.5	3.5	3.9	4.8	120°
3.0			✓				0.098	0.82	1.5	2.1	3.0	4.2	4.7	5.8	112°
3.5			✓				0.098	1.0	1.7	2.4	3.5	4.9	5.6	6.8	120°
4.0			✓				0.098	1.1	2.0	2.8	4.0	5.6	6.3	7.8	120°
6.0				✓			0.142	1.6	3.0	4.2	6.0	8.4	9.4	11.6	120°
8.0				✓			0.142	2.2	4.0	5.7	8.0	11.2	12.7	15.5	120°
10.0					✓		0.190	2.7	4.9	7.1	10.0	14.2	15.8	19.4	115°
14.0					✓		0.190	3.8	7.0	9.9	14.0	19.8	22.1	27.0	120°
20.0						✓	0.244	5.5	10.0	14.1	20.0	28.2	31.6	38.8	120°
26.0						✓	0.244	7.0	13.0	18.4	26.0	36.7	41.1	50.5	120°

*Determines maximum foreign particle size that will flow through the nozzle without clogging.



Type	Pipe Size	Net Weight Oz.	A	B	C
SFW	1/8 NPT	0.75	1.063	0.563	---
	1/4 NPT	1.25	1.375	0.688	---
	3/8 NPT	2.25	1.563	0.813	---
	1/2 NPT	3.50	1.844	1.000	---
	3/4 NPT	8.00	2.219	1.188	---
	1 NPT	15.00	2.969	1.500	---
SMW	1/8 NPT	0.75	1.125	0.563	0.825
	1/4 NPT	1.50	1.438	0.688	1.125
	3/8 NPT	2.50	1.563	0.813	1.163
	1/2 NPT	4.00	1.844	1.000	1.300
	3/4 NPT	8.50	2.219	1.125	2.560
	1 NPT	15.75	2.969	1.375	2.062
SSMW	1/8 NPT	0.50	0.625	0.500	0.325
	1/4 NPT	0.75	0.938	0.625	0.538
	3/8 NPT	1.50	0.969	0.750	0.569
	1/2 NPT	3.25	1.406	0.875	0.906
	3/4 NPT	5.25	1.500	1.125	0.960
	1 NPT	12.00	2.375	1.375	1.437