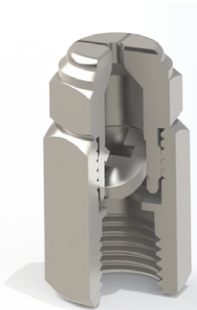
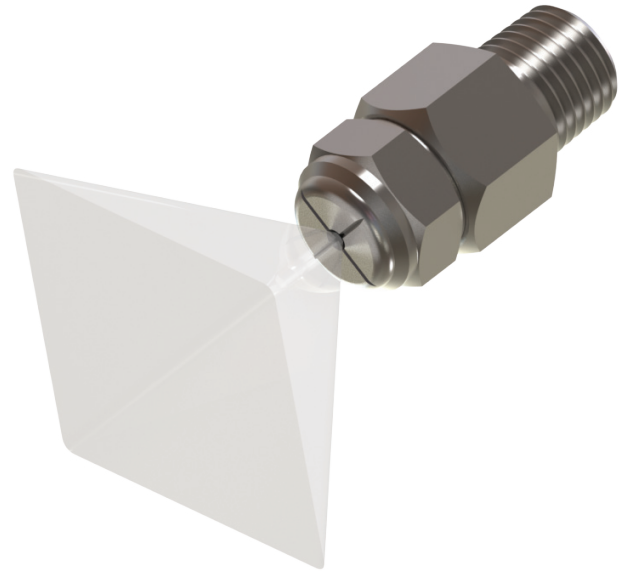


The unique Square-Jet[™] square spray nozzle can spray a nearly square spray pattern with uniform droplet distribution.

Four types of Square-Jet[®] square spray nozzles are available:

- Type **SFQ** - three piece nozzle with a removable cap (female)
- Type **SMQ** - three piece nozzle with a removable cap (male)
- Type **SSMQ** - two piece removable internal member (male)



Type SFQ
(Female)

Spray Characteristics

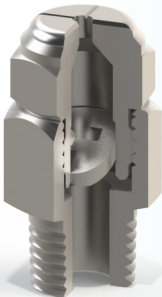
Square shaped spray with uniform distribution and atomization throughout the entire spray pattern. Atomization is finest at higher pressures. Nozzles spray between 55 and 80 degree spray angles. See product chart on the reverse for the expected angle at a certain flow rate and pressure.

Construction

Nozzle type SFQ is of a three piece design. The nozzle cap and internal member are removable without disturbing the male or female pipe connection. Nozzles available in 1/8", 1/4", 3/8", 1/2", 3/4" and 1" female NPT pipe size connections.

Materials

Stainless steel spray nozzles (303 stainless as well as 316 stainless), brass, steel and other materials available upon request.

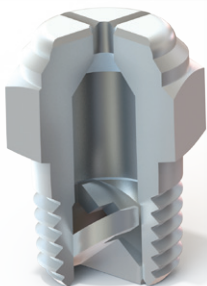


Type SMQ
(Male)

Square shaped spray with uniform distribution and atomization throughout the entire spray pattern. Atomization is finest at higher pressures. Nozzles spray between 55 and 80 degree spray angles. See product chart on the reverse for the expected angle at a certain flow rate and pressure.

Nozzle type SMQ is of a three piece design. The nozzle cap and internal member are removable without disturbing the male or female pipe connection. Nozzles available in 1/8", 1/4", 3/8", 1/2", 3/4" and 1" male NPT pipe size connections.

Stainless steel spray nozzles (303 stainless as well as 316 stainless), brass, steel and other materials available upon request.



Type SSMQ
(Male)

Similar in spray to the SFQ & SMQ types. Square shaped spray between 55 and 90 degree spray angles. See product chart on the reverse for the angle you can expect at a certain flow rate and pressure.

Nozzle type SSMQ is a two piece design with a removable internal member. Nozzles available in 1/8", 1/4", 3/8", 1/2", 3/4" & 1" male NPT pipe size connections..

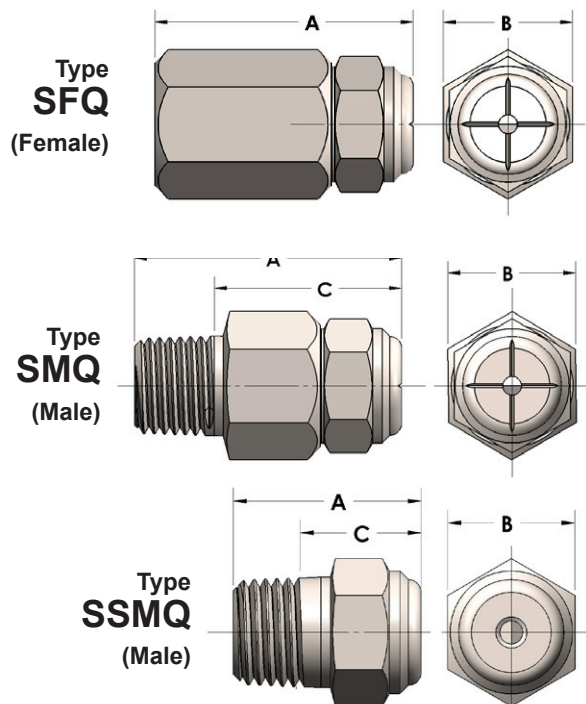
Stainless steel spray nozzles (303 stainless as well as 316 stainless), brass, steel and other materials available upon request.



Nozzle Identifier	Pipe Size ✓ indicates available							Free Passage Size*	CAPACITY IN GALLONS PER MINUTE (At Various Pressures in Pounds Per Square Inch)						SPRAY ANGLES 40 psi
	1/8	1/4	3/8	1/2	3/4	1	3 psi		20 psi	40 psi	80 psi	100 psi	150 psi		
0.80	✓						.052	0.22	0.57	0.80	1.10	1.30	1.60	60°	
1.0	✓						.062	0.27	0.71	1.00	1.40	1.6	1.90	70°	
1.2	✓						0.62	0.34	0.84	1.20	1.60	1.8	2.30	75°	
1.6		✓					0.86	0.44	1.10	1.60	2.30	2.5	3.10	60°	
2.0		✓					0.86	0.55	1.40	2.00	2.80	3.2	3.90	70°	
2.4		✓					0.86	0.68	1.70	2.40	3.30	3.7	4.60	75°	
3.0			✓				0.98	0.82	2.10	3.00	4.20	4.7	5.80	80°	
3.6			✓				0.98	0.99	2.50	3.60	5.00	5.6	6.90	80°	
4.0			✓				0.98	1.10	2.80	4.00	5.60	6.3	7.80	80°	
5.0				✓			.142	1.40	3.50	5.00	7.10	7.9	9.70	70°	
5.8				✓			.142	1.50	4.10	5.80	8.20	9.2	11.2	75°	
6.0				✓			.142	1.60	4.20	6.00	8.40	9.4	11.6	75°	
7.0				✓			.142	1.90	4.90	7.00	9.90	11.1	13.6	80°	
7.2				✓			.142	2.00	5.10	7.20	10.10	11.3	13.9	80°	
8.0**				✓			.142	2.20	5.70	8.00	11.20	12.7	15.5	80°	
10.0**					✓		.190	2.70	7.1	10.0	14.2	15.8	19.4	80°	
12.0**					✓		.190	3.30	8.50	12.0	17.00	19.0	23.2	80°	
16.0**					✓		.190	4.40	11.3	16.0	22.60	25.3	31.0	90°	
20.0**						✓	.190	5.50	14.1	20.0	28.20	31.6	38.8	80°	

*Determines maximum foreign particle size that will flow through nozzle without clogging.

**Available in SSMQ style



Type	Pipe Size	Net Weight Oz.	A	B	C
SFQ	1/8 NPT	0.75	1.063	0.563	---
	1/4 NPT	1.25	1.375	0.688	---
	3/8 NPT	2.25	1.563	0.813	---
	1/2 NPT	3.50	1.844	1.000	---
	3/4 NPT	8.00	2.219	1.188	---
	1 NPT	15.00	2.969	1.500	---
SMQ	1/8 NPT	0.75	1.125	0.563	.825
	1/4 NPT	1.50	1.438	0.688	1.125
	3/8 NPT	2.50	1.563	0.813	1.163
	1/2 NPT	4.00	1.844	1.000	1.300
	3/4 NPT	8.50	2.219	1.125	2.56
	1 NPT	15.75	2.969	1.375	2.062
SSMQ	1/8 NPT	0.50	0.625	0.500	.325
	1/4 NPT	0.75	0.938	0.625	.538
	3/8 NPT	1.50	0.969	0.750	.569
	1/2 NPT	3.25	1.406	0.875	.906
	3/4 NPT	5.25	1.500	1.125	.960
	1 NPT	12.00	2.375	1.375	1.437