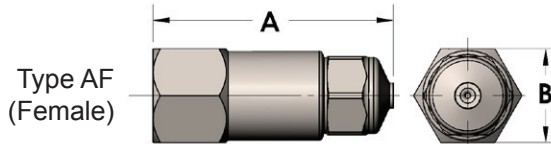
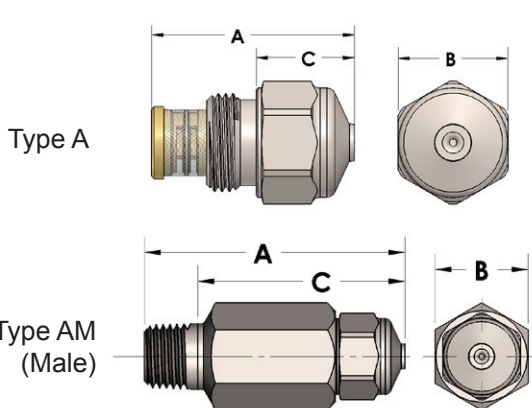




| Nozzle Identifier | Approx. Orifice Diameter | Capacity in Gallons per Hour<br>(at various pressures in pounds per square inch) |        |        |         |         |         |         |         | Spray Angles  |
|-------------------|--------------------------|--|--------|--------|---------|---------|---------|---------|---------|---|
|                   |                          | 40 psi   | 60 psi | 80 psi | 100 psi | 125 psi | 150 psi | 250 psi | 500 psi |   |
| 0.37              | 0.009                    | 0.37   | 0.45   | 0.52   | 0.59    | 0.65    | 0.72    | 0.93    | 1.3     | Available in Spray Angles of 70, 80 and 90 degrees. |
| 0.50              | 0.010                    | 0.50   | 0.61   | 0.71   | 0.79    | 0.88    | 0.97    | 1.3     | 1.8     |   |
| 0.75              | 0.012                    | 0.75   | 0.92   | 1.1    | 1.2     | 1.3     | 1.5     | 1.9     | 2.7     |   |
| 1.00              | 0.014                    | 1.0  | 1.2    | 1.4    | 1.6     | 1.8     | 1.9     | 2.5     | 3.5     |   |
| 1.50              | 0.020                    | 1.5  | 1.8    | 2.1    | 2.4     | 2.7     | 2.9     | 3.8     | 5.3     |   |
| 2.00              | 0.024                    | 2.0  | 2.4    | 2.8    | 3.2     | 3.5     | 3.9     | 5.0     | 7.1     |   |
| 2.50              | 0.028                    | 2.5  | 3.1    | 3.5    | 4.0     | 4.4     | 4.8     | 6.3     | 8.8     |   |
| 3.00              | 0.028                    | 3.0  | 3.7    | 4.2    | 4.7     | 5.3     | 5.8     | 7.5     | 10.6    |   |
| 3.50              | 0.031                    | 3.5  | 4.3    | 4.9    | 5.5     | 6.2     | 6.8     | 8.8     | 12.4    |   |
| 4.00              | 0.036                    | 4.0  | 4.9    | 5.7    | 6.3     | 7.1     | 7.7     | 10.0    | 14.1    |   |
| 4.50              | 0.040                    | 4.5  | 5.5    | 6.4    | 7.1     | 8.0     | 8.7     | 11.3    | 15.9    |   |
| 5.00              | 0.040                    | 5.0  | 6.1    | 7.1    | 7.9     | 8.8     | 9.7     | 12.5    | 17.7    |   |
| 5.50              | 0.040                    | 5.5  | 6.7    | 7.8    | 8.7     | 9.7     | 10.7    | 13.8    | 19.4    |   |
| 6.00              | 0.043                    | 6.0  | 7.3    | 8.5    | 9.5     | 10.6    | 11.6    | 15.0    | 21.2    |   |
| 6.50              | 0.046                    | 6.5  | 8.0    | 9.2    | 10.3    | 11.5    | 12.6    | 16.3    | 23.0    |   |
| 7.00              | 0.046                    | 7.0  | 8.6    | 9.9    | 11.1    | 12.4    | 13.6    | 17.5    | 24.7    |   |
| 7.50              | 0.046                    | 7.5  | 9.2    | 10.6   | 11.9    | 13.3    | 14.5    | 18.8    | 26.5    |   |
| 8.00              | 0.052                    | 8.0  | 9.8    | 11.3   | 12.6    | 14.1    | 15.5    | 20.0    | 28.3    |   |
| 8.50              | 0.052                    | 8.5  | 10.4   | 12.0   | 13.4    | 15.0    | 16.5    | 21.3    | 30.1    |   |
| 9.00              | 0.052                    | 9.0  | 11.0   | 12.7   | 14.2    | 15.9    | 17.4    | 22.5    | 31.8    |   |
| 10.0              | 0.059                    | 10.0   | 12.2   | 14.1   | 15.8    | 17.7    | 19.4    | 25.0    | 35.4    |   |
| 12.0              | 0.063                    | 12.0   | 14.7   | 17.0   | 19.0    | 21.2    | 23.2    | 30.0    | 42.4    |   |
| 13.0              | 0.067                    | 13.0   | 15.9   | 18.4   | 20.6    | 23.0    | 25.2    | 32.5    | 46.0    |   |
| 14.0              | 0.067                    | 14.0   | 17.1   | 19.8   | 22.1    | 24.7    | 27.1    | 35.0    | 49.5    |   |
| 15.0              | 0.070                    | 15.0   | 18.4   | 21.2   | 23.7    | 26.5    | 29.0    | 37.5    | 53.0    |   |
| 16.0              | 0.073                    | 16.0   | 19.6   | 22.6   | 25.3    | 28.3    | 31.0    | 40.0    | 56.6    |   |
| 18.0              | 0.076                    | 18.0   | 22.0   | 25.5   | 28.5    | 31.8    | 34.9    | 45.0    | 63.6    |   |
| 20.0              | 0.076                    | 20.0   | 24.5   | 28.3   | 31.6    | 35.4    | 38.7    | 50.0    | 70.7    |   |
| 22.0              | 0.078                    | 22.0   | 26.9   | 31.1   | 34.8    | 38.9    | 42.6    | 55.0    | 77.8    |   |
| 24.0              | 0.082                    | 24.0   | 29.4   | 33.9   | 37.9    | 42.4    | 46.5    | 60.0    | 84.9    |   |
| 26.0              | 0.082                    | 26.0   | 31.8   | 36.8   | 41.1    | 46.0    | 50.3    | 65.0    | 91.9    |   |
| 28.0              | 0.086                    | 28.0   | 34.3   | 39.6   | 44.3    | 49.5    | 54.2    | 70.0    | 99.0    |   |
| 30.0              | 0.089                    | 30.0   | 36.7   | 42.4   | 47.4    | 53.0    | 58.1    | 75.0    | 106.1   |   |
| 35.0              | 0.096                    | 35.0   | 42.9   | 49.5   | 55.3    | 61.9    | 67.8    | 87.5    | 123.7   |   |



| Type | Pipe Size    | Net Weight Oz. | A     | B     | C     |
|------|--------------|----------------|-------|-------|-------|
| A    | 9/16-24NEF-2 | 0.75           | 1.141 | 0.625 | 0.500 |
| AM   | 1/8 NPT      | 2.50           | 1.938 | 0.750 | 1.600 |
|      | 1/4 NPT      | 2.50           | 2.125 | 0.750 | 1.600 |
|      | 3/8 NPT      | 2.50           | 1.891 | 0.750 | 1.600 |
| AF   | 1/8 NPT      | 2.50           | 1.844 | 0.750 | ---   |
|      | 1/4 NPT      | 2.50           | 1.844 | 0.750 | ---   |