



Fan-Jet® Flat Spray Nozzles

Type V
Type FA
Type VHP

Steinen Mfg. Co. 29 East Halsey Road, Parsippany, NJ 07054 973.887.6400 F: 973.887.4632 info@steinen.com www.steinen.com

Steinen offers a wide variety of flat spray nozzles to satisfy almost any requirement. Nozzles are offered in 10 different spray angles from 0° to 110°, numerous flow rates from 0.20 gallons per minute (GPM) up to 50 GPM, at pressures from 5 PSI to 1,000 PSI, in various types of steel, stainless steel, brass and CPVC. Three types of nozzle construction are available:

- the single piece nozzle (Type V),
- the four piece removable tip nozzle (Type FA),
- and the low capacity/high pressure nozzle (Type VHP)



Spray Fan



High Impact 5° Spray

Spray Characteristics

Construction

Materials



Type V

Flat spray nozzle with high impact, sharply defined spray pattern without heavy edges. This type of high velocity spray is very useful in cleaning and coating applications. Spray angles of 0, 15, 25, 40, 50, 65, 80 and 90 degrees are available.

One-piece design with no cores or internal members to clog. Nozzles available in 1/8", 1/4", 3/8", 1/2", 3/4", and 1" NPT male pipe thread.

These nozzles are available in 303 & 316 Stainless Steel, mild steel, brass and CPVC.

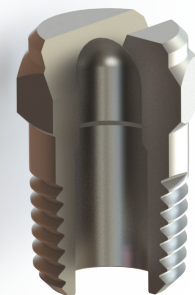


Type FA

Spray Characteristics - Flat, high impact, sharply defined spray pattern without heavy edges. This type of high velocity spray is excellent for cleaning applications. Spray angles of 0, 15, 25, 40, 50, 65, 80, 95 and 110 degrees are available.

Nozzle is four parts: cap, orifice tip, strainer with 100 mesh screen, and the adapter. No cores or internal vanes to clog. Orifice tip adjustable directionally without disturbing the male or female pipe connection. Available in 1/8" and 1/4"

These nozzles are available in 303 & brass.



Type VHP

Engineered specifically for high pressure spray cleaning and washing processes. A flat, evenly distributed fan pattern provides maximum impact throughout the complete spray pattern. Unexcelled accuracy of flow and spray angle rating have been attained through precision manufacturing. Spray angles of 0, 15, 25, 40, 50, 65, 80 and 90 degrees are available.

Two-piece design with brass body and locked-in stainless steel orifice insert. Nozzles available in 1/8" or 1/4" NPT male or female pipe thread.



Fan-Jet® Flat Spray Nozzles Type V

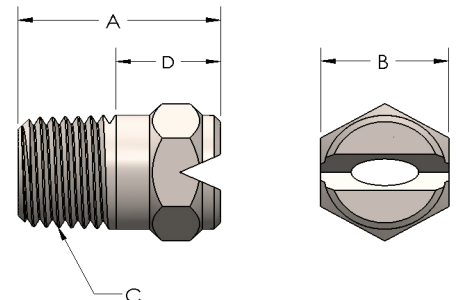
Steinen Mfg. Co. 29 East Halsey Road, Parsippany, NJ 07054 973.887.6400 F: 973.887.4632 info@steinen.com www.steinen.com

Capacity G.P.M. @ 40 P.S.I.	Pipe Size Availability <small>✓ indicates available</small>						Approx. Orifice Diameter	Capacity in Gallons per Minute (at various pressures in pounds per square inch)						
	1/8	1/4	3/8	1/2	3/4	1		10 psi	20 psi	40 psi	60 psi	100 psi	120 psi	150 psi
0.20	✓	✓					0.036	0.10	0.14	0.20	0.25	0.32	0.35	0.39
0.25	✓	✓					0.039	0.13	0.18	0.25	0.31	0.39	0.43	0.48
0.30	✓	✓					0.043	0.15	0.21	0.3	0.37	0.47	0.51	0.58
0.35	✓	✓					0.047	0.18	0.25	0.35	0.43	0.55	0.61	0.68
0.40	✓	✓					0.052	0.20	0.28	0.4	0.49	0.63	0.69	0.78
0.45	✓	✓					0.055	0.22	0.32	0.45	0.55	0.71	0.77	0.88
0.50	✓	✓					0.058	0.25	0.35	0.5	0.61	0.79	0.87	0.97
0.55	✓	✓					0.06	0.28	0.39	0.55	0.67	0.87	0.96	1.07
0.60	✓	✓					0.062	0.30	0.42	0.6	0.73	0.95	1.04	1.16
0.65	✓	✓					0.064	0.32	0.46	0.65	0.8	1.03	1.14	1.26
0.70	✓	✓					0.067	0.35	0.50	0.7	0.86	1.11	1.19	1.36
0.80	✓	✓					0.072	0.40	0.56	0.8	0.98	1.26	1.36	1.55
0.90	✓	✓					0.076	0.46	0.64	0.9	1.1	1.42	1.56	1.74
1.0	✓	✓	✓				0.078	0.50	0.7	1	1.2	1.6	1.7	1.9
1.5	✓	✓	✓				0.093	0.75	1.1	1.5	1.8	2.4	2.5	2.9
2.0	✓	✓	✓				0.109	1	1.4	2	2.5	3.2	3.5	3.9
3.0	✓	✓	✓				0.125	1.5	2.1	3	3.7	4.7	5	5.8
4.0	✓	✓	✓				0.156	2	2.8	4	4.9	6.3	6.8	7.7
5.0		✓	✓	✓			0.171	2.4	3.5	5	6.1	7.9	8.7	9.7
6.0		✓	✓	✓			0.187	3.	4.2	6	7.3	9.5	10	11.6
7.0		✓	✓	✓			0.203	3.5	4.9	7	8.6	11.1	11.9	13.5
8.0		✓	✓	✓			0.218	4.	5.7	8	9.8	12.6	13.6	15.4
9.0		✓	✓	✓			0.234	4.5	6.3	9	11	14.1	15.6	17.4
10.0			✓	✓			0.25	4.9	7.1	10	12.2	15.8	17.3	19.4
11.0			✓	✓			0.265	5.5	8.0	11	13.4	17.3	18.9	21.1
12.0			✓	✓			0.265	6	8.5	12	14.7	19	20	23.2
13.0			✓	✓			0.281	6.5	9.1	13	13.2	20.6	21.9	25.3
14.0			✓	✓			0.281	7	9.9	14	17.1	22.1	24	27
15.0			✓	✓			0.296	7.4	10.6	15	18.4	23.7	26	29
20.0				✓	✓		0.344	13	14.1	20	24.5	31.6	34.4	38.7
25.0				✓	✓		0.375	12.5	17.5	25	30.5	39.5	43.5	48.5
30.0					✓		0.421	15	21.2	30	36.8	47.4	52	58
35.0					✓		0.453	17.5	24.5	35	42.7	55.3	60.9	67.9
40.0					✓		0.5	20	28.3	40	49	63.2	68.8	77.4
50.0						✓	0.515	25	35.4	50	61.2	79.1	86.6	96.8

Flow and angle data for higher pressures available upon request



Pipe Size	Net Weight	A	B
1/8 in.	1/4 oz.	3/4 in.	7/16 in.
1/4 in.	3/4 oz.	15/16 in.	9/16 in.
3/8 in.	1 1/4 oz.	1 3/16 in.	3/4 in.
1/2 in.	2 oz.	1 1/4 in.	7/8 in.
3/4 in.	2 3/4 oz.	1 1/2 in.	1 1/16 in.
1 in.	7 oz.	2 in.	1 3/8 in.





Fan-Jet® Flat Spray Nozzles

Type V
Type FA
Type VHP

Steinen Mfg. Co. 29 East Halsey Road, Parsippany, NJ 07054 973.887.6400 F: 973.887.4632 info@steinen.com www.steinen.com

Steinen offers a wide variety of flat spray nozzles to satisfy almost any requirement. Nozzles are offered in 10 different spray angles from 0° to 110°, numerous flow rates from 0.20 gallons per minute (GPM) up to 50 GPM, at pressures from 5 PSI to 1,000 PSI, in various types of steel, stainless steel, brass and CPVC. Three types of nozzle construction are available:

- the single piece nozzle (Type V),
- the four piece removable tip nozzle (Type FA),
- and the low capacity/high pressure nozzle (Type VHP)



Spray Fan



High Impact 5° Spray

Spray Characteristics

Construction

Materials



Type V

Flat spray nozzle with high impact, sharply defined spray pattern without heavy edges. This type of high velocity spray is very useful in cleaning and coating applications. Spray angles of 0, 15, 25, 40, 50, 65, 80 and 90 degrees are available.

One-piece design with no cores or internal members to clog. Nozzles available in 1/8", 1/4", 3/8", 1/2", 3/4", and 1" NPT male pipe thread.

These nozzles are available in 303 & 316 Stainless Steel, mild steel, brass and CPVC.



Type FA

Spray Characteristics - Flat, high impact, sharply defined spray pattern without heavy edges. This type of high velocity spray is excellent for cleaning applications. Spray angles of 0, 15, 25, 40, 50, 65, 80, 95 and 110 degrees are available.

Nozzle is four parts: cap, orifice tip, strainer with 100 mesh screen, and the adapter. No cores or internal vanes to clog. Orifice tip adjustable directionally without disturbing the male or female pipe connection. Available in 1/8" and 1/4"

These nozzles are available in 303 & brass.



Type VHP

Engineered specifically for high pressure spray cleaning and washing processes. A flat, evenly distributed fan pattern provides maximum impact throughout the complete spray pattern. Unexcelled accuracy of flow and spray angle rating have been attained through precision manufacturing. Spray angles of 0, 15, 25, 40, 50, 65, 80 and 90 degrees are available.

Two-piece design with brass body and locked-in stainless steel orifice insert. Nozzles available in 1/8" or 1/4" NPT male or female pipe thread.



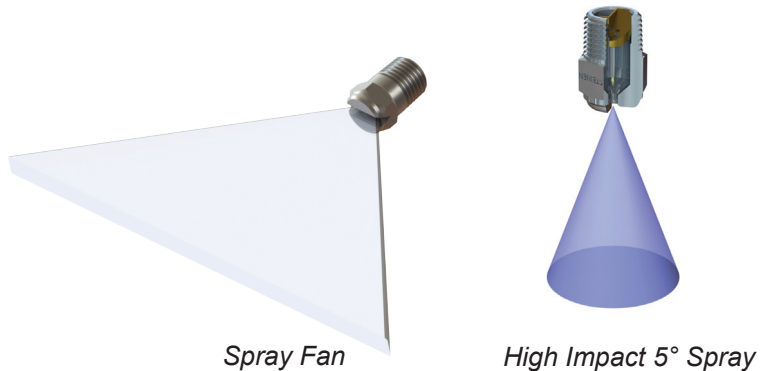
Fan-Jet® Flat Spray Nozzles



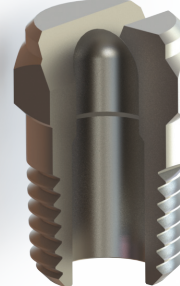
Type V
Type FA
Type VHP

Steinen Mfg. Co. 29 East Halsey Road, Parsippany, NJ 07054 973.887.6400 F: 973.887.4632 info@steinen.com www.steinen.com

Steinen offers a wide variety of flat spray nozzles to satisfy almost any requirement. Nozzles are offered in 10 different spray angles from 0° to 110°, numerous flow rates from 0.20 gallons per minute (GPM) up to 50 GPM, at pressures from 5 PSI to 1,000 PSI, in various types of steel, stainless steel, brass and CPVC. Three types of nozzle construction are available:

- the single piece nozzle (Type V),
- the four piece removable tip nozzle (Type FA),
- and the low capacity/high pressure nozzle (Type VHP)



	Spray Characteristics	Construction	Materials
 <p>Type V</p>	<p>Flat spray nozzle with high impact, sharply defined spray pattern without heavy edges. This type of high velocity spray is very useful in cleaning and coating applications. Spray angles of 0, 15, 25, 40, 50, 65, 80 and 90 degrees are available.</p>	<p>One-piece design with no cores or internal members to clog. Nozzles available in 1/8", 1/4", 3/8", 1/2", 3/4", and 1" NPT male pipe thread.</p>	<p>These nozzles are available in 303 & 316 Stainless Steel, mild steel, brass and CPVC.</p>
 <p>Type FA</p>	<p>Spray Characteristics - Flat, high impact, sharply defined spray pattern without heavy edges. This type of high velocity spray is excellent for cleaning applications. Spray angles of 0, 15, 25, 40, 50, 65, 80, 95 and 110 degrees are available.</p>	<p>Nozzle is four parts: cap, orifice tip, strainer with 100 mesh screen, and the adapter. No cores or internal vanes to clog. Orifice tip adjustable directionally without disturbing the male or female pipe connection. Available in 1/8" and 1/4"</p>	<p>These nozzles are available in 303 & brass.</p>
 <p>Type VHP</p>	<p>Engineered specifically for high pressure spray cleaning and washing processes. A flat, evenly distributed fan pattern provides maximum impact throughout the complete spray pattern. Unexcelled accuracy of flow and spray angle rating have been attained through precision manufacturing. Spray angles of 0, 15, 25, 40, 50, 65, 80 and 90 degrees are available.</p>	<p>Two-piece design with brass body and locked-in stainless steel orifice insert. Nozzles available in 1/8" or 1/4" NPT male or female pipe thread.</p>	