

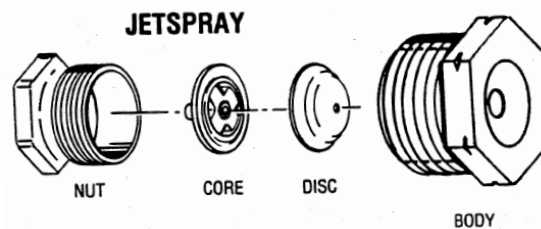
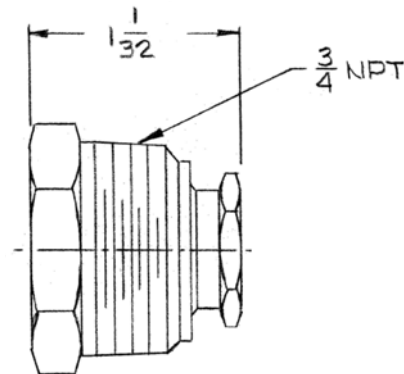
JETSPRAY™ *FULL CONE* NOZZLE

TYPE 331 (Steinen/Hahn)

Type 331 JETSPRAY™ full cone nozzles produce a precision uniform cone spray, have removable discs and cores for easy cleaning, and are generally used in mining and other applications.

The Type 331 JETSPRAY™ nozzle is manufactured by HAHN Industries, a Division of Steinen.

- The Type 331 JETSPRAY™ is available in three different flow rates.
- Each nozzle has a removable disc and core for easy cleaning.
- Nozzles are constructed from Brass and have a 3/4" male NPT pipe thread.



Nozzle Type	Steinen Part #	RATED CAPACITY (gallons/minute)					Spray Angle (approx.)
		20 PSI	40 PSI	60 PSI	80 PSI	100 PSI	
JETSPRAY #3 Disc	331-00321	0.21	0.30	0.37	0.42	0.47	30°
JETSPRAY #5 Disc	331-00521	0.57	0.80	0.98	1.13	1.26	40°
JETSPRAY #6 Disc	331-00621	0.71	1.00	1.23	1.41	1.58	50°