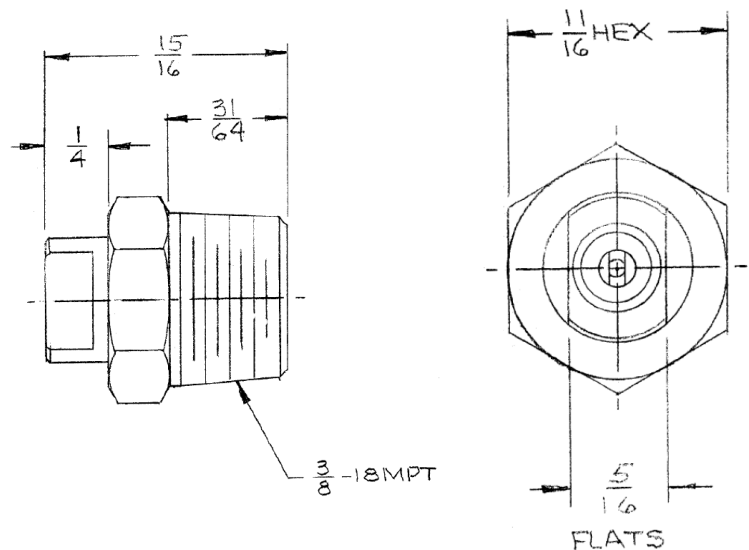


### FANJET® *FLAT SPRAY* MINING NOZZLES

### TYPE SN-579 – 3/8" NPT – BRASS

Type SN579 3/8" FanJet flat spray nozzles produce a uniform flat spray and are generally used in mining and other applications for dust suppression.

FanJet SN-579 nozzles are manufactured by HAHN Industries, a Division of Steinen. These nozzles are replacements for equivalent Spraying Systems Type H-U and H-VV VeeJet® nozzles.



Popular Sizes	RATED CAPACITY (gallons/minute)				SPRAY ANGLE	
	40 PSI	60 PSI	80 PSI	100 PSI	40 PSI	80 PSI
Type SN579-						
1510	1.00	1.22	1.41	1.58	15°	18°
2510	1.00	1.22	1.41	1.58	25°	30°
4010	1.00	1.22	1.41	1.58	40°	45°
5010	1.00	1.22	1.41	1.58	50°	55°
6505	0.50	0.61	0.71	0.79	65°	72°
6506	0.60	0.73	0.85	0.95	65°	72°
6508	0.80	0.98	1.13	1.26	65°	72°
6510	1.00	1.22	1.41	1.58	65°	72°
8005	0.50	0.61	0.71	0.79	80°	85°
8010	1.00	1.22	1.41	1.58	80°	85°
9005	0.50	0.61	0.71	0.79	90°	95°
9010	1.00	1.22	1.41	1.58	90°	95°

Above are popular sizes, but Steinen has many more available.

VeeJet® is a registered trademark of the Spraying Systems Co.

