

STEINEN

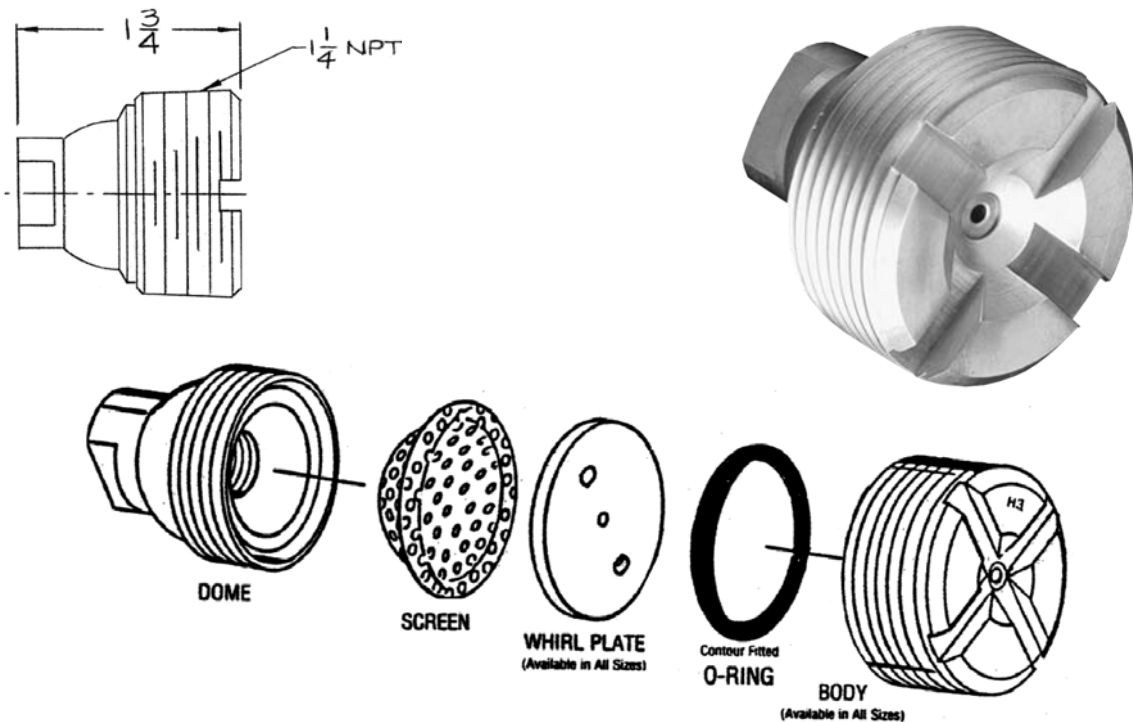
Since 1907

HAHN Dome Shaped FULL CONE NOZZLE DATA SHEET

TYPE 334 "Dome Shaped" *FULL CONE* NOZZLE TYPE "334" (Steinen/Hahn)

Type 334 full cone nozzles produce a uniform cone spray and are generally used in mining and other applications for dust suppression.

Nozzle Description: **Dome Shaped Type 334** nozzles are precision spray nozzles with removable whirlplates and screens for easy cleaning and replacement utilizing a 1 1/4" outside thread.



Type (Part Number):	RATED CAPACITY (gallons/minute)				SPRAY ANGLE	
	40 PSI	60 PSI	80 PSI	100 PSI	40 PSI	80 PSI
Type #3-1 (334-05301)	0.20	0.25	0.29	0.32	40°	50°
Type #3-3 (334-05303)	0.32	0.40	0.45	0.51	20°	25°
Type #4-1 (334-05401)	0.32	0.40	0.45	0.51	60°	60°
Type #5-1 (334-05501)	0.42	0.52	0.60	0.66	65°	70°
Type #5-7 (334-05507)	0.85	1.02	1.17	1.30	35°	40°

Many other sizes of the Dome Shaped Type 334 nozzle are available upon request.

HAHN



Steinen 29 East Halsey Rd. Parsippany, NJ 07054
Phone: 973-887-6400 Fax: 973-887-4632 E-mail: info@steinen.com

Copyright 2010
Wm Steinen Manufacturing Co.